



ESODO IP65

Emergency Exit Signs



Robust vandal and weatherproof construction.

ESODO IP65 is a robust vandal resistant LED emergency EXIT sign built for harsh environments. Even though ESODO IP65 has been designed to last, no compromise has been made with regards to maintenance and user friendliness.

Features

- High efficiency LED
- IP65 and IK08
- 24m viewing distance
- More than 1.5 hours of discharge time
- LiFePO4 battery compliant with AS2293.3
- Replaceable decals supplied
- Also available in black

Benefits

- Long lifetime and low power consumption
- Moisture proof vandal resistant
- Ensured safety throughout the building
- Homogeneously lit sign
- Peace of mind for the end user
- The correct sign for every application
- Suitable for low illuminance applications

Product Overview

POWER (Standby)	POWER (Charging)	DISCHARGE TIME	RECHARGE TIME	EMERGENCY CLASSIFICATION	SAP CODE	PRODUCT CODE
1.5W	3W	>1.5 hours	16 hours	E6.3	2002085 2002174	ESD24M-IP65 ESD24M-IP65-BK

24M = 24m viewing distance **BK** = Black

SPECIFICATIONS	
Viewing Distance:	24m
Type:	Maintained
Body Material:	ABS
Housing Colour:	White Black
IP Rating:	IP65
IK Rating:	IK10
AS/NZS Standards:	60598 / 2293.3
Warranty:	5yr 1yr (battery)
Driver:	Integral
Power Connection:	Screw Terminals
Input:	220-240V, 50/60Hz
Electrical Classification:	Class 2
Battery Type:	LiFePO4 3.2V 600mAh
Charger Operation:	Continuous
Battery Test Button:	Manual
Lifespan:	>54,000hrs @Ta55°C (L70)
Operating Ambient Temperature:	0 to 45°C

APPLICATIONS	
Standard Version:	Black Version:
Schools	Theatres
Offices	Cinemas
Hotels	Auditoriums
Retail	Lecture Rooms
Galleries	Dark Rooms
Factories	
Car Parks	
Stairwells	

ACCESSORIES	
Replaceable Pictogram Set: (Supplied with Product)	
Exit	
Exit Right	
Exit Left	

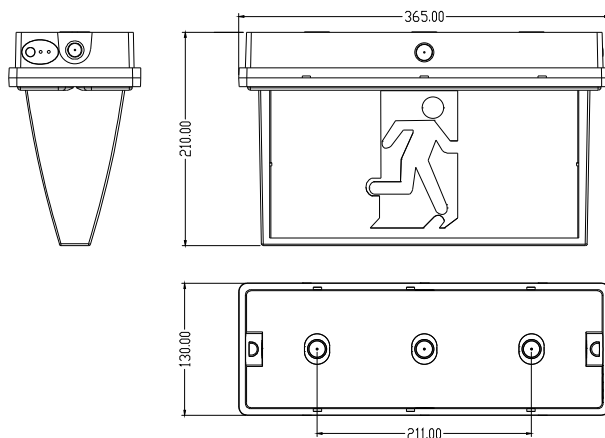


White



Black

DIMENSIONS



Exit and Emergency

FIND OUT MORE:

